

HUNGRY GIANT WASTE SYSTEMS

MODEL: HGF-900ML/HGF-900AL

Make food waste easy to process with our bio-dehydrator. Use it as a soil amendment, send it to a compost facility, or dispose of it responsibly. Your choice!

Load your food waste into the machine where it is macerated and heated to a point where the moisture is extracted from the reactor drum. The machine then condenses the steam and discharges a clear water condensate (no total suspended solids!). The remaining dry output is 70-90% volume-reduced, inert, pathogen-free, compostable product with a variety of uses.

900lbs capacity of food waste per cycle. This is ideal for larger establishments, universities, hospitals, military facilities, remote mining, marine, and the like. Add our Bio-Grinder to this, and you could get up to 1800lbs per cycle. Average cycle times are 17-22 hours depending on the moisture content.

CAPACITY: 900lb/500kg (per cycle)

LENGTH: 88in/2234mm

DEPTH: 55in/1392mm

HEIGHT: 63in/1604mm

CYCLE TIME: 17-20 hours

*Rental is approximate, with 10% balloon, over 60 months. Excludes delivery, installation, training, optional extras, for those WAC. Third party equipment financiers will assess credit risk. Figures may vary.

Note: figures may vary due to psychrometrics as air density (height above sea level), air temperature, humidity etc.

Note: Specifications of all models may be changed without prior notice

** ML designates "Manual Load" **AL designates "Automatic Load"

** Approximate capacity daily and capacity per cycle is a range and not to be construed as an exact calculation as the bio reactor drums are a fixed volume, but density and moisture content of food waste varies.

** If food waste is pulped and dewatered, processing times will improve and increase daily capacity of units.

** 1CMM = 1CFM * 35.3/1CMM = 35.3CFM

BIO-DEHYDRATORS

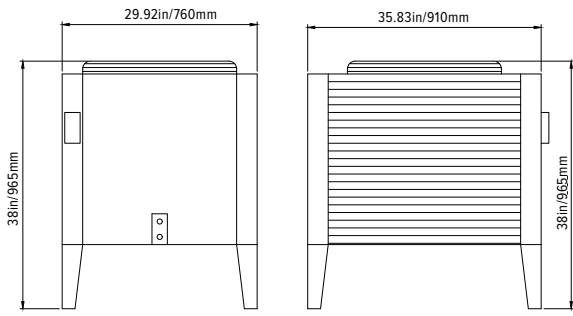
Rent, Lease or Buy

900ML: Starting from \$475* pw/ up to 6300 lbs p/week

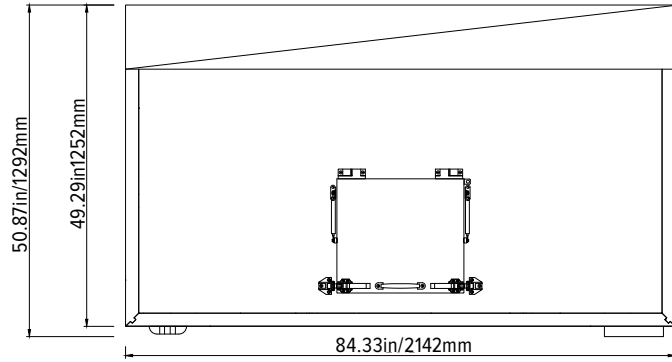
900AL: Starting from \$511* pw/ up to 6300 lbs p/week



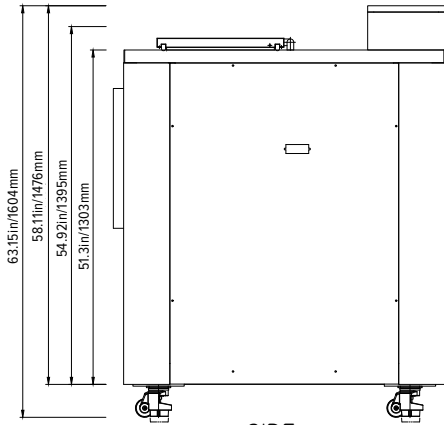
MODEL	HGF-900ML	HGF-900AL
Cycle Times/Full Load (capacity per cycle)**	1 Cycle 900lbs/408kg 17-20hrs	1 Cycle 900lbs.408kg 17-20hrs
Possible Cycles Per Day**	1	1
Approximate Capacity per day (full 24 hours) **	900lbs/408kg	900lbs/408kg
NOTE: CYCLE TIME WILL VARY FROM LOAD TO LOAD DEPENDING ON THE MOISTURE CONTENT OF THE FOOD WASTE		
Depth	54.8in/1392mm	54.8in/1392mm
Length/Width	87.95in/2234mm	87.95in/2234mm
Length/Width W/Lift	NO LIFT	106.3in/2763mm
Height	63.14in/1604mm	63.14in/1604mm
Height W/Lift	NO LIFT	66.18in/1681mm
External Condenser Size (L x W x H)	3.69ft/1125mm x 2.05ft/625mm x 2.85ft/870mm	3.69ft/1125mm x 2.05ft/625mm x 2.85ft/870mm
Drum Volume	237.75gal/900Liters	237.75gal/900Liters
Net weight of unit	2205lbs/1000kg	2645lbs/1200kg
CFM output radiator	4518.4CFM = 128CMM	4518.4CFM = 128CMM
Delta T	86F/30c	86F/30c
BTU/hr = 1.08 x CFM x ΔT	419669	419669
Converted to kW	123	123



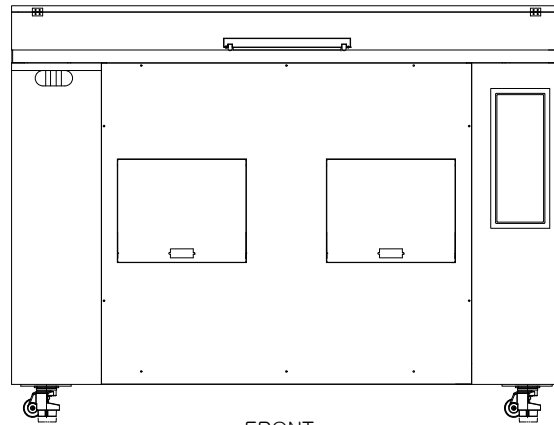
EXTERNAL RADIATOR



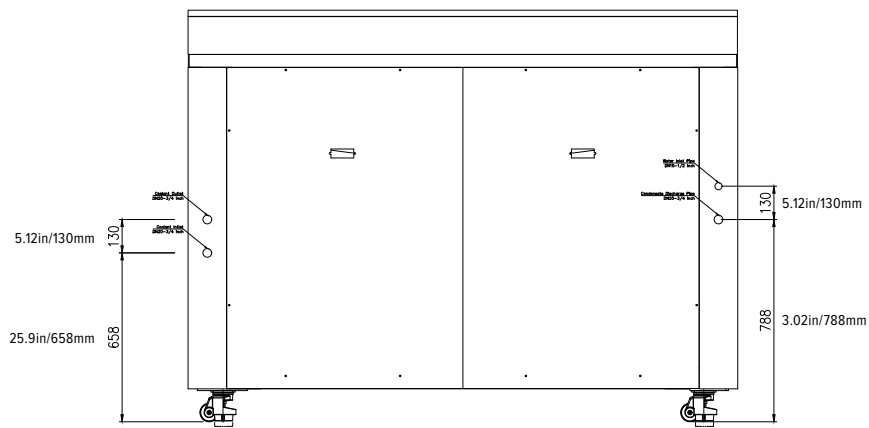
TOP



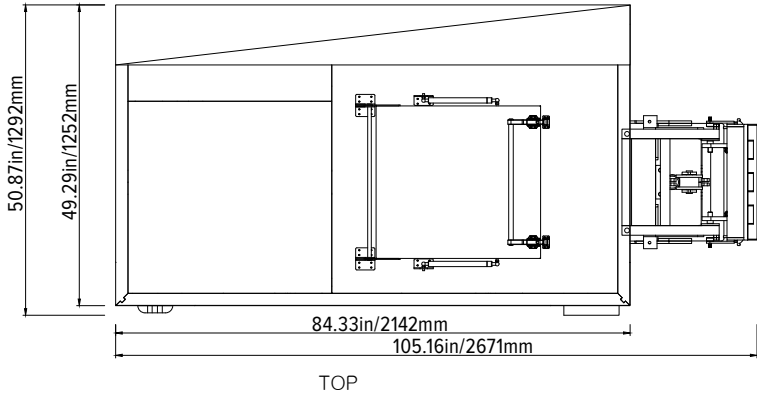
SIDE



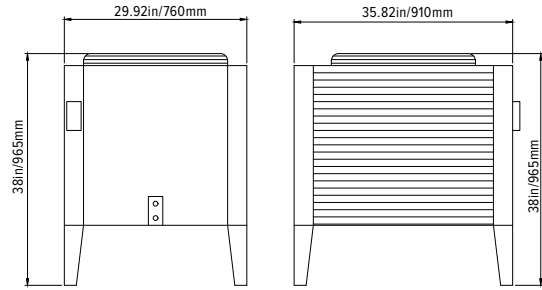
FRONT



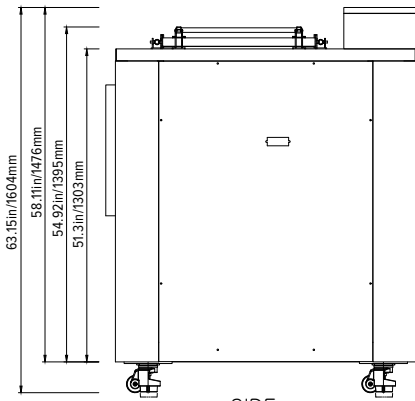
BACK



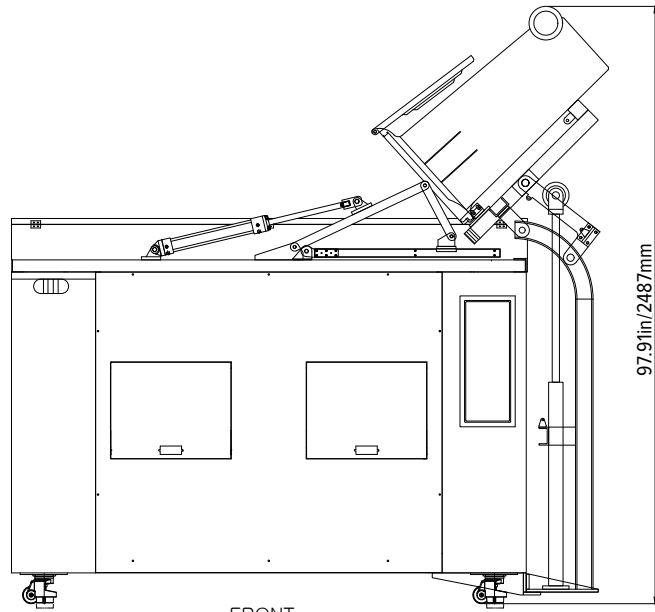
TOP



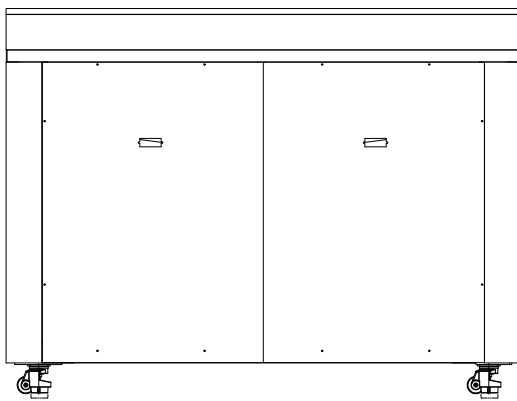
EXTERNAL RADIATOR



SIDE



FRONT



BACK