

HUNGRY GIANT WASTE SYSTEMS

MODEL: HGF-700ML/HGF-700AL

Make food waste easy to process with our bio-dehydrator. Use it as a soil amendment, send it to a compost facility, or dispose of it responsibly. Your choice!

Load your food waste into the machine where it is macerated and heated to a point where the moisture is extracted from the reactor drum. The machine then condenses the steam and discharges a clear water condensate (no total suspended solids!). The remaining dry output is 70-90% volume-reduced, inert, pathogen-free, compostable product with a variety of uses.

700lbs capacity of food waste per cycle. This is ideal for larger restaurants, universities, multi-tenant operations, and the like. Add our Bio-Grinder to this, and you could get up to 1400lbs per cycle. Average cycle time is 15-20 hours depending on the moisture content.

CAPACITY:	700lb/300kg (per cycle)
LENGTH:	65in/1652mm
DEPTH:	49in/1232mm
HEIGHT:	50in/1259mm/54in/1381mm
CYCLE TIME:	15-19 hours

*Rental is approximate, with 10% balloon, over 60 months. Excludes delivery, installation, training, optional extras, for those WAC. Third party equipment financiers will assess credit risk. Figures may vary.

Note: figures may vary due to psychrometrics as air density (height above sea level), air temperature, humidity etc.

Note: Specifications of all models may be changed without prior notice

** ML designates "Manual Load" **AL designates "Automatic Load"

** Approximate capacity daily and capacity per cycle is a range and not to be construed as an exact calculation as the bio reactor drums are a fixed volume, but density and moisture content of food waste varies.

** If food waste is pulped and dewatered, processing times will improve and increase daily capacity of units.

** 1CMM = 1CFM * 35.3/1CMM = 35.3CFM

BIO-DEHYDRATORS

Rent, Lease or Buy

700ML: Starting from \$360* pw/ up to 4900 lbs p/ week

700AL: Starting from \$390* pw/ up to 4900 lbs p/week

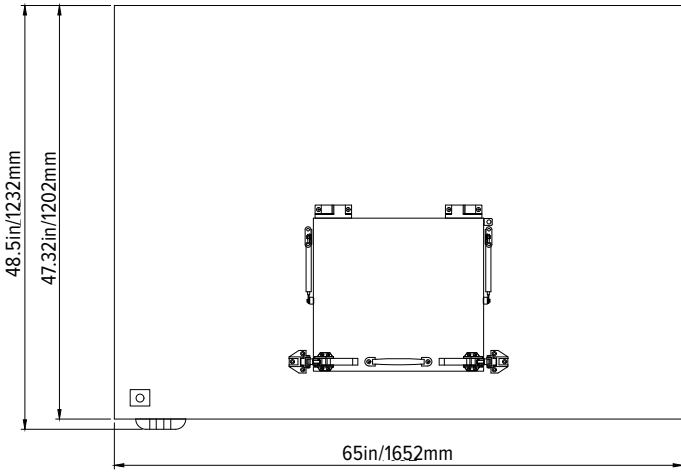


MODEL	HGF-700ML	HGF-700AL
Cycle Times/Full Load (capacity per cycle)**	1 Cycle 700lbs/300kg 15-19hrs	1 Cycle 700lbs/300kg 15-19hrs
Possible Cycles Per Day**	1-1.5	1-1.5
Approximate Capacity per day (full 24 hours) **	820lbs/370kg	820lbs/370kg
NOTE: CYCLE TIME WILL VARY FROM LOAD TO LOAD DEPENDING ON THE MOISTURE CONTENT OF THE FOOD WASTE		
Depth	48.5in/1232mm	48.5in/1232mm
Length/Width	65in/1652mm	65in/1652mm
Length/Width W/Lift	NO LIFT	81.69in/2075mm
Height	49.56in/1259mm	54.37in/1381mm
Height W/Lift	NO LIFT	64.96in/1457mm
External Condenser Size (L x W x H)	X	X
Drum Volume	124.16gal/470Liters	124.16gal/470Liters
Net weight of unit	1770lbs/800kg	1770lbs/800kg
CFM output radiator	2259.2CFM = 64CMM	2259.2CFM = 64CMM
Delta T	86F/30c	86F/30c
BTU/hr = 1.08 x CFM x ΔT	209834	209834
Converted to kW	61.5	61.5

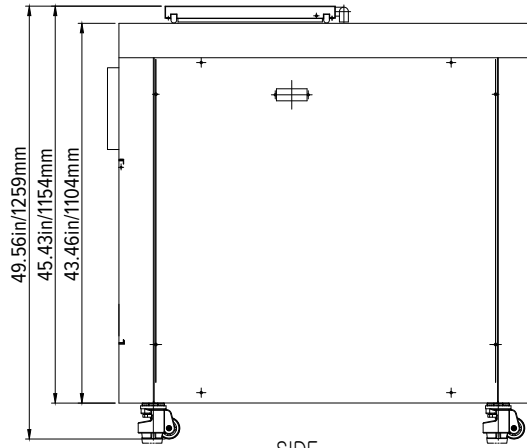
HUNGRY GIANT WASTE SYSTEMS LLC

2007 Kramer Ln Ste 103, Austin, TX 78758, USA // PO Box 161491 Austin Texas 78746 USA

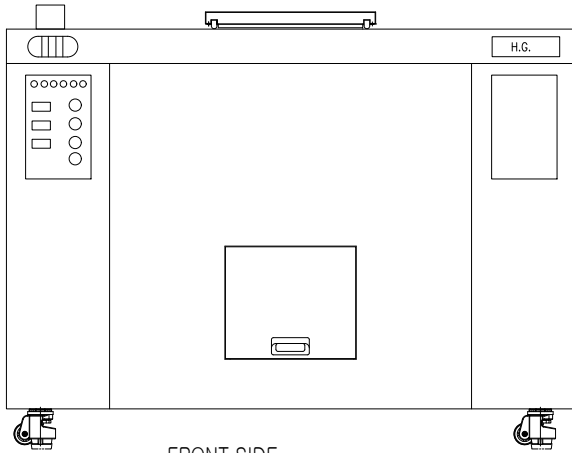
Phone: +1 877-211-8472 // hungrygiantrecycling.com



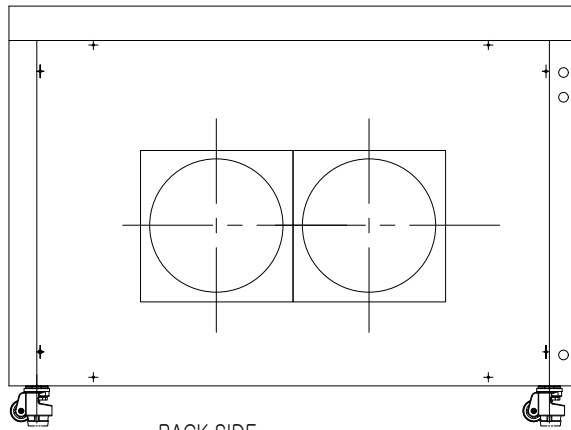
TOP VIEW



SIDE

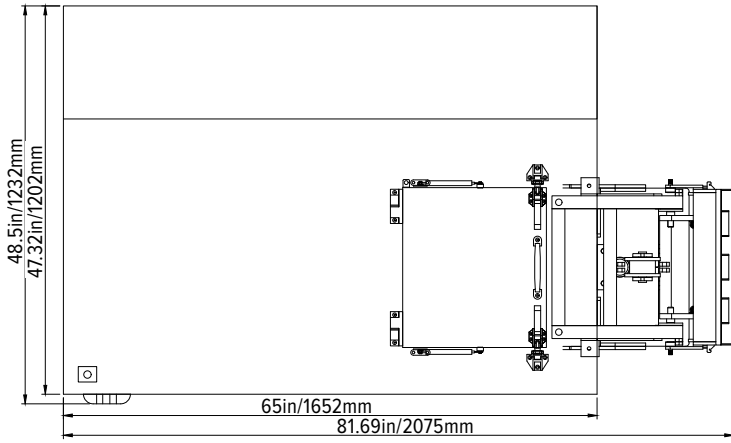


FRONT SIDE

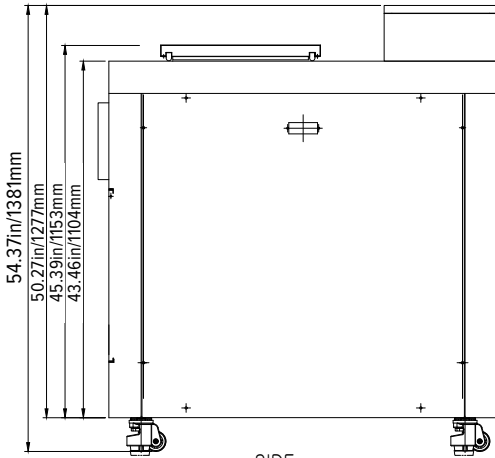


BACK SIDE

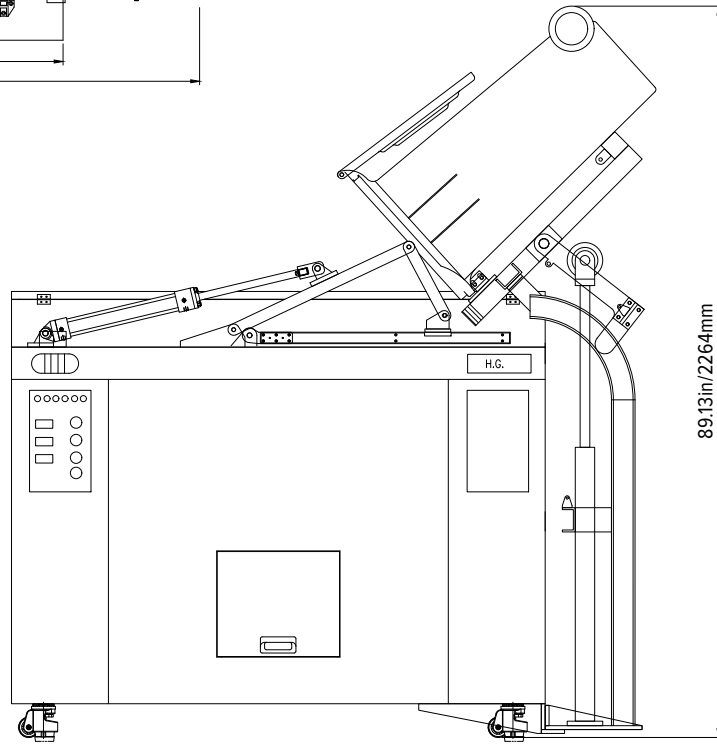
BIO-DEHYDRATORS • HGF-700AL



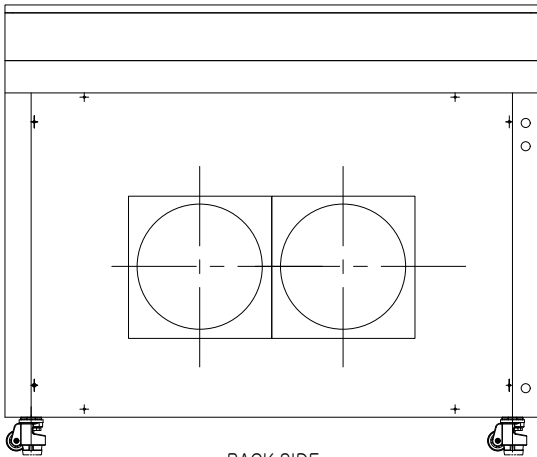
TOP VIEW



SIDE



FRONT SIDE



BACK SIDE