

HUNGRY GIANT WASTE SYSTEMS

BIO-DEHYDRATORS

Rent, Lease or Buy

Starting from \$255* pw/ up to 3150 lbs p/week

MODEL: HGF-450ML

Make food waste easy to process with our bio-dehydrator. Use it as a soil amendment, send it to a compost facility, or dispose of it responsibly. Your choice!

Load your food waste into the machine where it is macerated and heated to a point where the moisture is extracted from the reactor drum. The machine then condenses the steam and discharges a clear water condensate (no total suspended solids!). The remaining dry output is 70-90% volume-reduced, inert, pathogen-free, compostable product with a variety of uses.

450lbs capacity of food waste per cycle. This is great for a medium-sized operators such as corporate cafeterias, colleges, and larger commercial kitchens.

Add our Bio-Grinder to this, and you could get up to 900lbs per cycle.



CAPACITY:	450lb/200kg (per cycle)
LENGTH:	57in/1452mm
DEPTH:	47in/1182mm
HEIGHT:	47in/1204mm
CYCLE TIME:	14-19 hours

MODEL	HGF-450ML
Cycle Times/Full Load (capacity per cycle)**	1 Cycle 450lbs/200kg 14-19hrs
Possible Cycles Per Day**	1-1.5
Approximate Capacity per day (full 24 hours) **	560lbs/250kg
NOTE: CYCLE TIME WILL VARY FROM LOAD TO LOAD DEPENDING ON THE MOISTURE CONTENT OF THE FOOD WASTE	
Depth	46.53in/1182mm
Length/Width	57.16in/1452mm
Length/Width W/Lift	NO LIFT
Height	47.4in/1204mm
Height W/Lift	NO LIFT
External Condenser Size (L x W x H)	X
Drum Volume	92.46gal/350Liters
Net weight of unit	1325lbs/600kg
CFM output radiator	1200.2CFM = 34CMM
Delta T	86F/30c
BTU/hr = 1.08 x CFM x ΔT	111475
Converted to kW	32.7

*Rental is approximate, with 10% balloon, over 60 months. Excludes delivery, installation, training, optional extras, for those WAC. Third party equipment financiers will assess credit risk. Figures may vary.

Note: figures may vary due to psychrometrics as air density (height above sea level), air temperature, humidity etc.

Note: Specifications of all models may be changed without prior notice

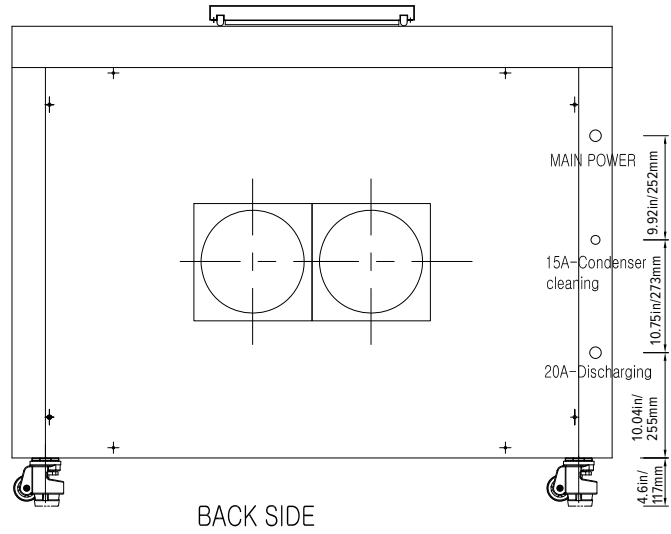
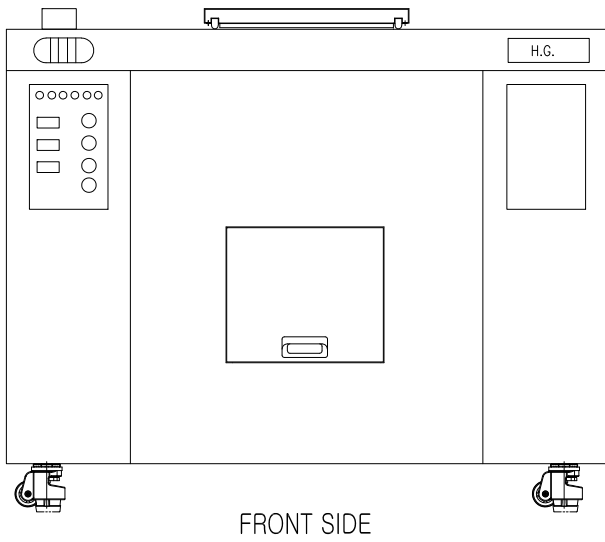
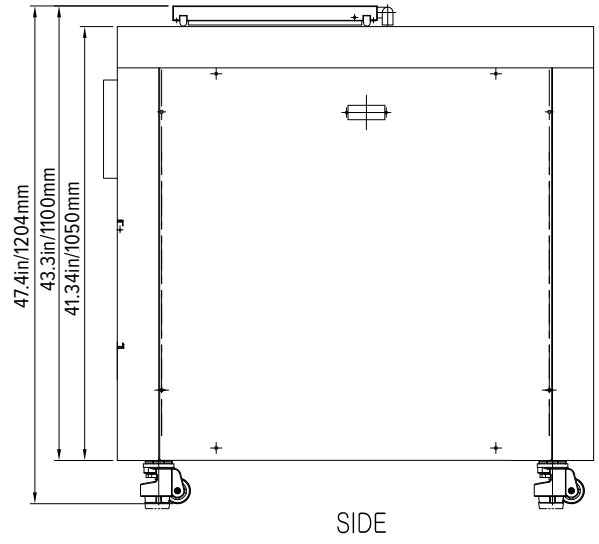
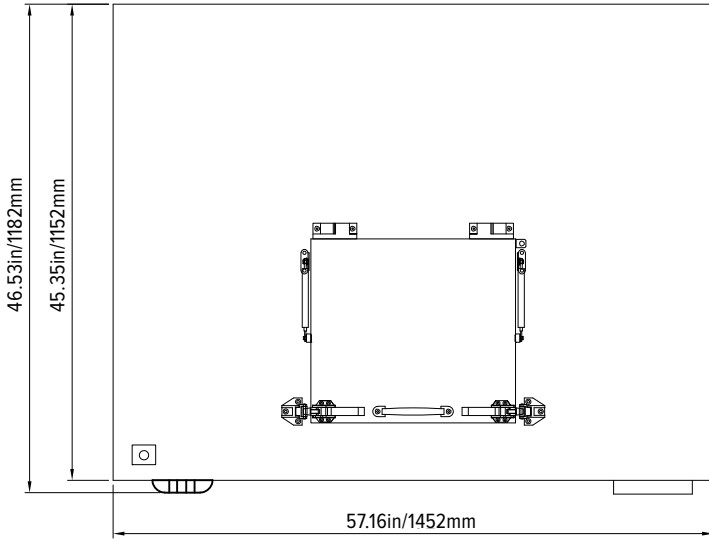
** ML designates "Manual Load" **AL designates "Automatic Load"

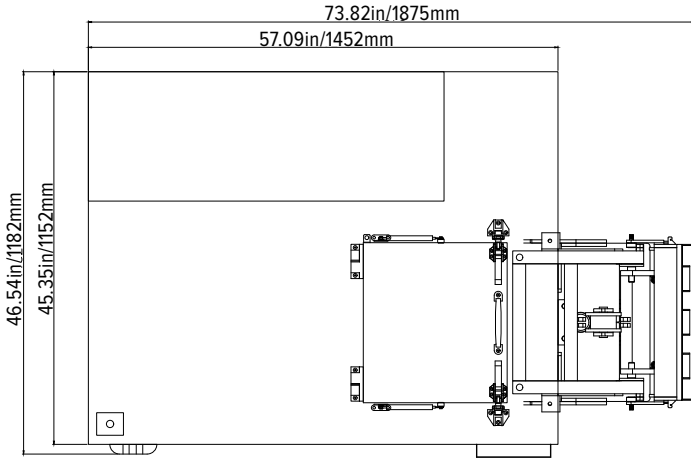
** Approximate capacity daily and capacity per cycle is a range and not to be construed as an exact calculation as the bio reactor drums are a fixed volume, but density and moisture content of food waste varies.

** If food waste is pulped and dewatered, processing times will improve and increase daily capacity of units.

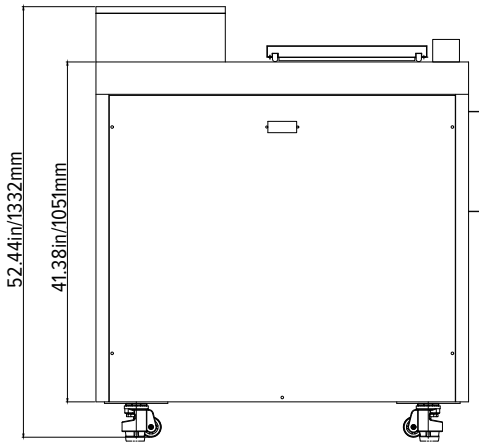
** 1CMM = 1CFM * 35.3/1CMM = 35.3CFM

BIO-DEHYDRATORS • HGF-450ML

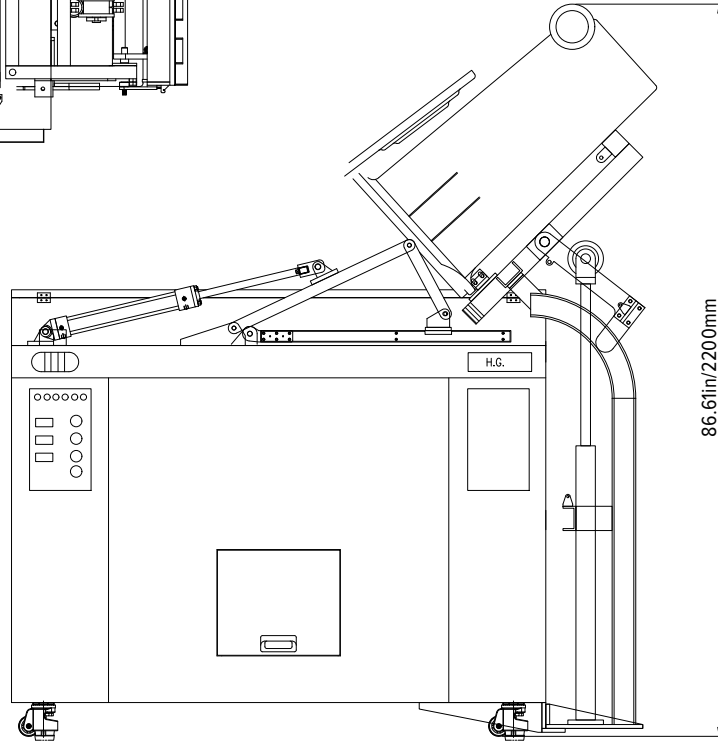




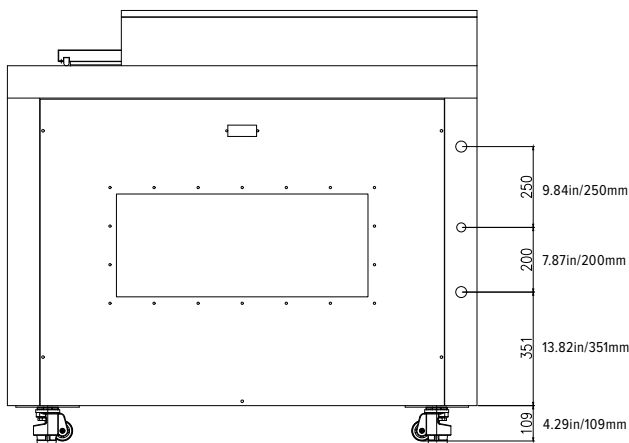
TOP VIEW



LEFT SIDE



FRONT SIDE



BACK SIDE

no specs for AL Model
for page 1 ??