

HUNGRY GIANT WASTE SYSTEMS

BIO-DEHYDRATORS

Rent, Lease or Buy

Starting from \$215* pw/ up to 2,240 lbs p/week

MODEL: HGF-320ML

Make food waste easy to process with our bio-dehydrator. Use it as a soil amendment, send it to a compost facility, or dispose of it responsibly. Your choice!

Load your food waste into the machine where it is macerated and heated to a point where the moisture is extracted from the reactor drum. The machine then condenses the steam and discharges a clear water condensate (no total suspended solids!). The remaining dry output is 70-90% volume-reduced, inert, pathogen-free, compostable product with a variety of uses.

This is our most common model. It's a great fit for most commercial kitchens, being able to handle 320lbs of food waste per cycle. Optionally you can add our Bio-Grinder to this, and you could get up to 640lbs per cycle. Average cycle time is 12-17 hours or approximately 110 covers per hour.



| | |
|--------------------|--------------------------------|
| CAPACITY: | 320lb/150kg (per cycle) |
| LENGTH: | 53in/1352mm |
| DEPTH: | 43in/1082mm |
| HEIGHT: | 46in/1174mm |
| CYCLE TIME: | 14-18 hours |

| MODEL | HGF-320ML |
|---|----------------------------------|
| Cycle Times/Full Load (capacity per cycle)** | 1 Cycle 320lbs/150kg 14-18hrs |
| Possible Cycles Per Day** | 1-1.5 |
| Approximate Capacity per day (full 24 hours) ** | 420lbs/190kg |
| NOTE: CYCLE TIME WILL VARY FROM LOAD TO LOAD DEPENDING ON THE MOISTURE CONTENT OF THE FOOD WASTE | |
| Depth | 42.59in/1082mm |
| Length/Width | 53.22in/1352mm |
| Length/Width W/Lift | NO LIFT |
| Height | 46.22in/1174mm |
| Height W/Lift | NO LIFT |
| External Condenser Size (L x W x H) | X |
| Drum Volume | 73.16gal/277Liters |
| Net weight of unit | 1100lbs/500kg |
| CFM output radiator | 1200.2CFM = 34CMM |
| Delta T | 86F/30c |
| BTU/hr = 1.08 x CFM x ΔT | 111475 |
| Converted to kW | 32.7 |

*Rental is approximate, with 10% balloon, over 60 months. Excludes delivery, installation, training, optional extras, for those WAC. Third party equipment financiers will assess credit risk. Figures may vary.

Note: figures may vary due to psychrometrics as air density (height above sea level), air temperature, humidity etc.

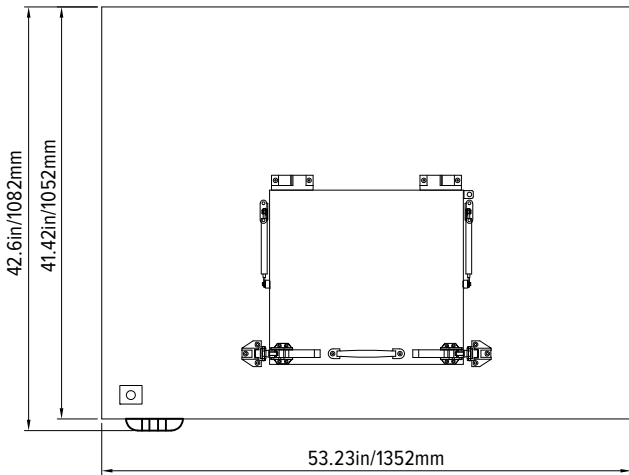
Note: Specifications of all models may be changed without prior notice

** ML designates "Manual Load" ***AL designates "Automatic Load"

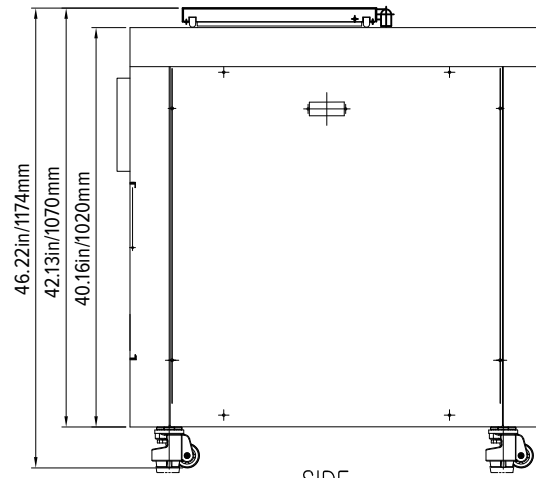
** Approximate capacity daily and capacity per cycle is a range and not to be construed as an exact calculation as the bio reactor drums are a fixed volume, but density and moisture content of food waste varies.

** If food waste is pulped and dewatered, processing times will improve and increase daily capacity of units.

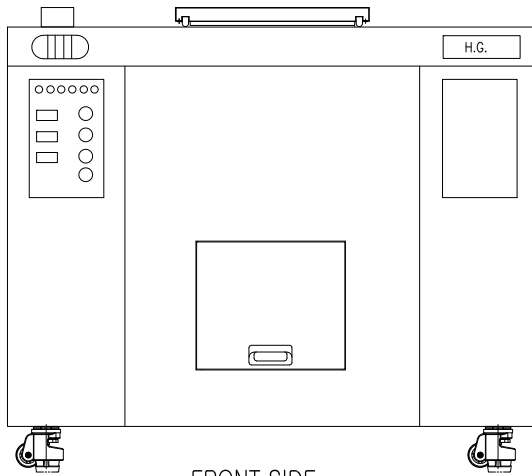
** 1CMM = 1CFM * 35.3/ 1CMM = 35.3CFM



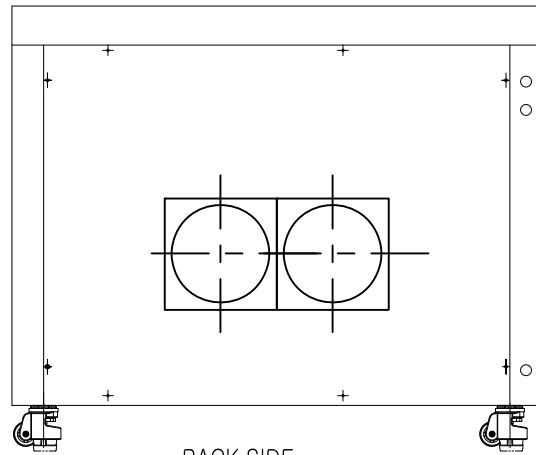
TOP VIEW



SIDE



FRONT SIDE



BACK SIDE