

HUNGRY GIANT WASTE SYSTEMS

BIO-DEHYDRATORS

Rent, Lease or Buy

Starting from \$122* pw/ up to 770lbs p/week

MODEL: HGF-110ML

Make food waste easy to process with our bio-dehydrator. Use it as a soil amendment, send it to a compost facility, or dispose of it responsibly. Your choice!

Load your food waste into the machine where it is macerated and heated to a point where the moisture is extracted from the reactor drum. The machine then condenses the steam and discharges a clear water condensate (no total suspended solids!). The remaining dry output is 70-90% volume-reduced, inert, pathogen-free, compostable product with a variety of uses.

Designed for smaller commercial kitchens or food processors, it can handle up to 110lbs of food waste per cycle. You can get two cycles per day, or approximately 55 covers per hour.



CAPACITY: 110lb/50kg (per cycle)

LENGTH: 32in/802mm

DEPTH: 30in/752mm

HEIGHT: 47in/1201mm

CYCLE TIME: 10-12 hours

*Rental is approximate, with 10% balloon, over 60 months. Excludes delivery, installation, training, optional extras, for those WAC. Third party equipment financiers will assess credit risk. Figures may vary.

Note: figures may vary due to psychrometrics as air density (height above sea level), air temperature, humidity etc. Note: Specifications of all models may be changed without prior notice

** ML designates "Manual Load" **AL designates "Automatic Load"

** Approximate capacity daily and capacity per cycle is a range and not to be construed as an exact calculation as the bio reactor drums are a fixed volume, but density and moisture content of food waste varies.

** If food waste is pulped and dewatered, processing times will improve and increase daily capacity of units.

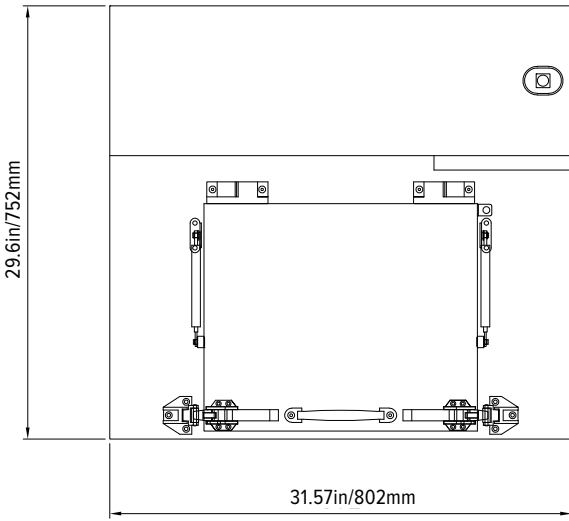
** 1CMM = 1CFM * 35.3/1CMM = 35.3CFM

MODEL	HGF-110ML
Cycle Times/Full Load (capacity per cycle)**	1 Cycle 110lbs/50kg 10-12hrs
Possible Cycles Per Day**	2
Approximate Capacity per day (full 24 hours) **	220lbs/100kg
NOTE: CYCLE TIME WILL VARY FROM LOAD TO LOAD DEPENDING ON THE MOISTURE CONTENT OF THE FOOD WASTE	
Depth	29.6in/752mm
Length/Width	31.57in/802mm
Length/Width W/Lift	NO LIFT
Height	47.28in/1201mm
Height W/Lift	NO LIFT
External Condenser Size (L x W x H)	X
Drum Volume	22.45gal/85Liters
Net weight of unit	550lbs/250kg
CFM output radiator	706CFM = 20CMM
Delta T	86F/30c
BTU/hr = 1.08 x CFM x ΔT	65573
Converted to kW	19.2

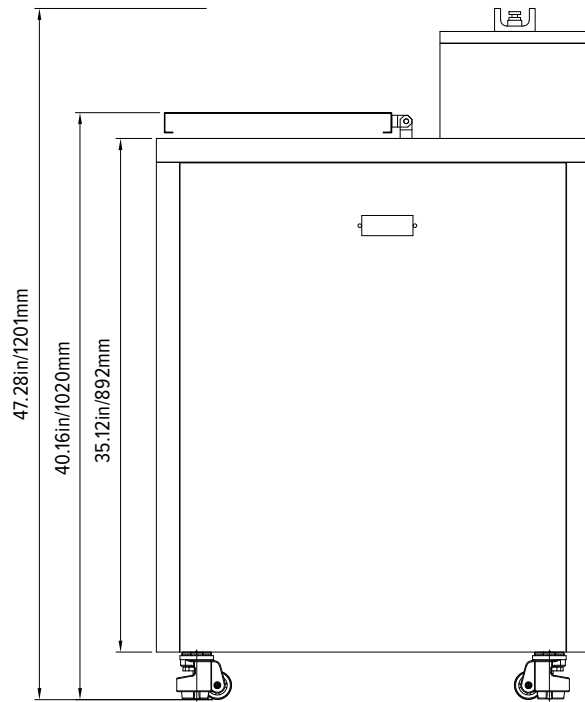
HUNGRY GIANT WASTE SYSTEMS LLC

2007 Kramer Ln Ste 103, Austin, TX 78758, USA // PO Box 161491 Austin Texas 78746 USA

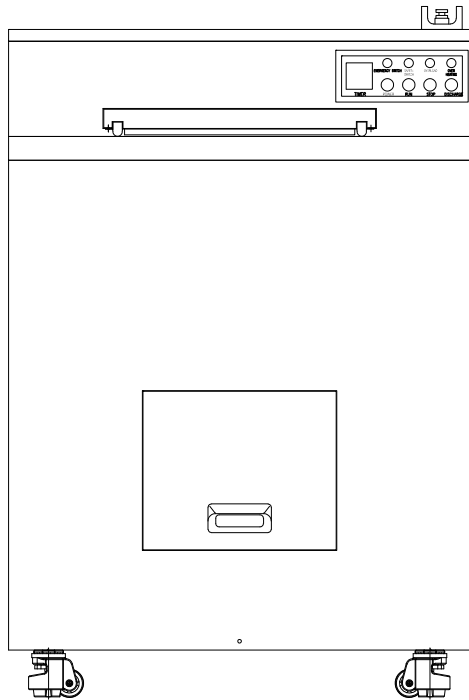
Phone: +1 877-211-8472 // hungrygiantrecycling.com



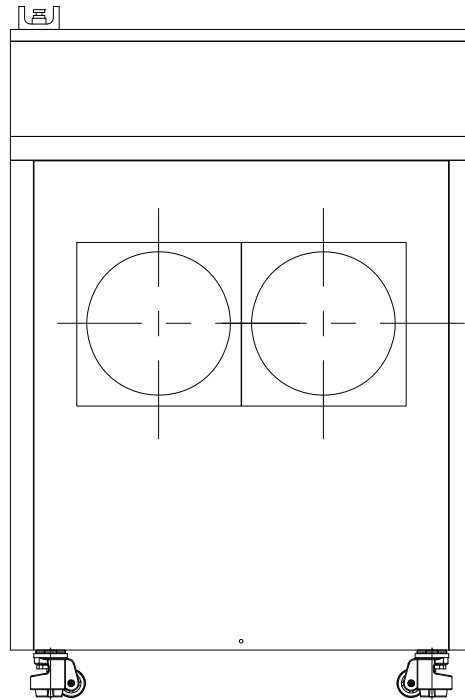
TOP VIEW



RIGHT VIEW



FRONT VIEW



BACK VIEW